

---

***BF-1***

## — CONTENTS —

FIG.1	FRAMES .....	2
FIG.2	PAPER FEED-IN SECTION .....	4
FIG.3	EJECT SECTION .....	6
FIG.4	DRIVING & ELECTRICAL COMPONENTS .....	8
FIG.5	ACCESSOREIS .....	10
	• INDEX .....	12

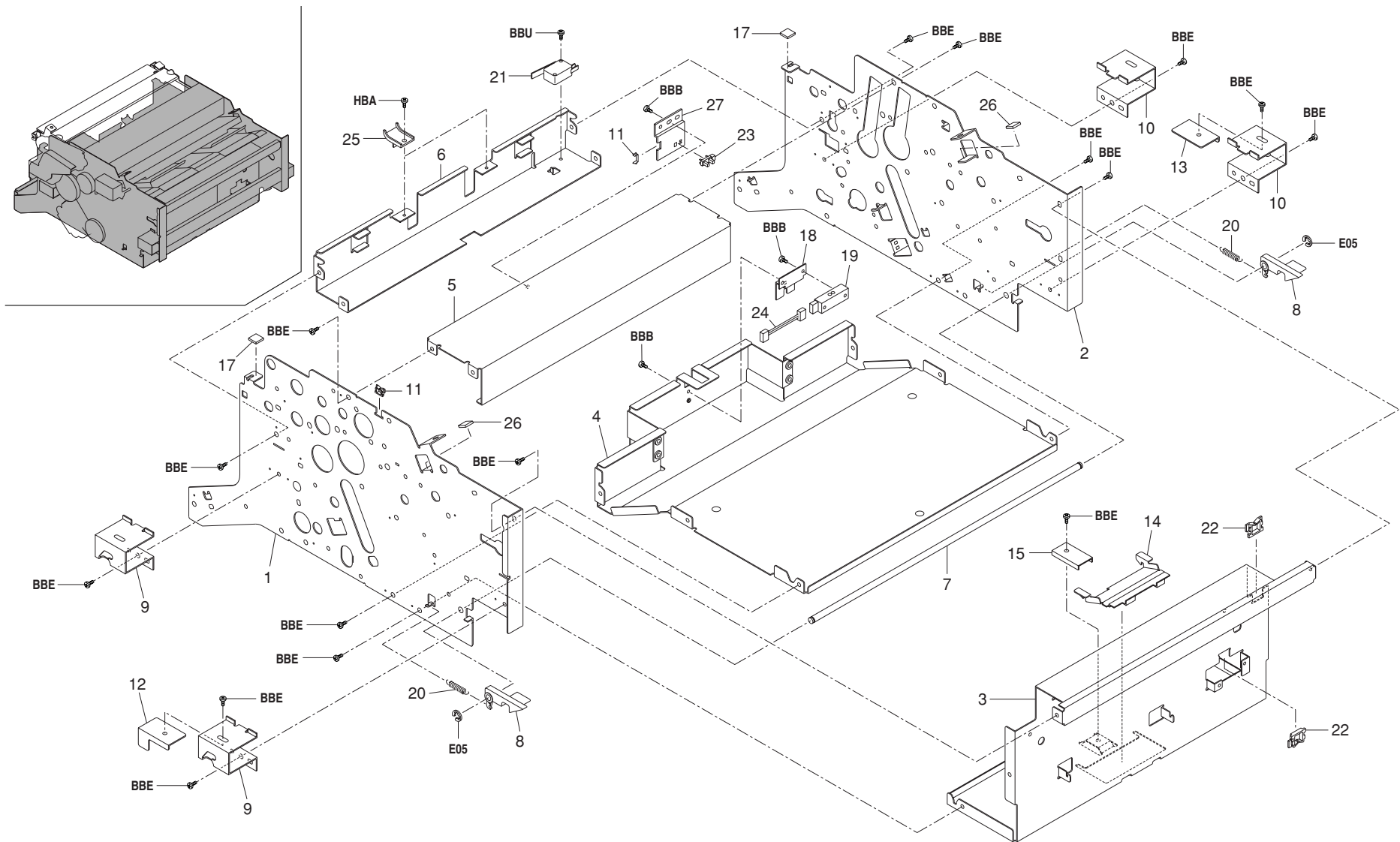


FIG. 1 FRAMES

3CA

SP	Ref. No.	Part. No.	Description	Quantity		
				120V	230V	240V
	1	3CA02010	FRONT FRAME	1	1	1
	2	3CA02020	REAR FRAME	1	1	1
	3	3CA02030	RIGHT BASE	1	1	1
	4	3CA02040	LEFT BASE	1	1	1
	5	3CA02050	UPPER STAY,MOTOR	1	1	1
	6	3CA02060	LOWER STAY,EJECT	1	1	1
	7	3CA02070	SHAFT,HOOK	1	1	1
	8	3CA02080	HOOK,UNIT RELEASE	2	2	2
	9	3CA02110	FRONT MOUNT,SLIDER	2	2	2
	10	3CA02120	REAR MOUNT,SLIDER	2	2	2
	11	M2104350	EDGING,EDS-0607M(KITAGAWA)	2	2	2
	12	3CA02130	FRONT RETAINER,SLIDER	1	1	1
	13	3CA02140	REAR RETAINER,SLIDER	1	1	1
	14	3CA02152	STOPPER,SLIDE	1	1	1
	15	3CA02160	HOLDER,SLIDE STOPPER	1	1	1
	16	3CA02170	LOWER RIGHT STAY,FRAME	1	1	1
	17	3CA16110	PAD,CONVEYING GUIDE	2	2	2
	18	3CA26050	MOUNT,TRAY SWITCH	1	1	1
●	19	66006360	PAPER SWITCH	1	1	1
	20	48527301	SPRING,RELEASE LEVER	2	2	2
●	21	63527020	SAFETY,SWITCH	1	1	1
	22	M2104200	EDGING EDS-1	2	2	2
●	23	35327400	SWITCH,FEED	1	1	1
	24	3CA27060	JUNCTION WIRING,STOCK	1	1	1
	25	3CA04060	LOWER COVER,EJECT ROLLER	2	2	2
	26	3CA06140	PAD,CONVEYING PULLEY GUIDE	2	2	2
	27	3CA26060	MOUNT,MOTOR PI	1	1	1

- Parts with "." are component parts or sub-assemblies of the assembly appearing immediately above them.
- Parts with "●" indicates the Service parts.

FIG. 2 PAPER FEED-IN SECTION

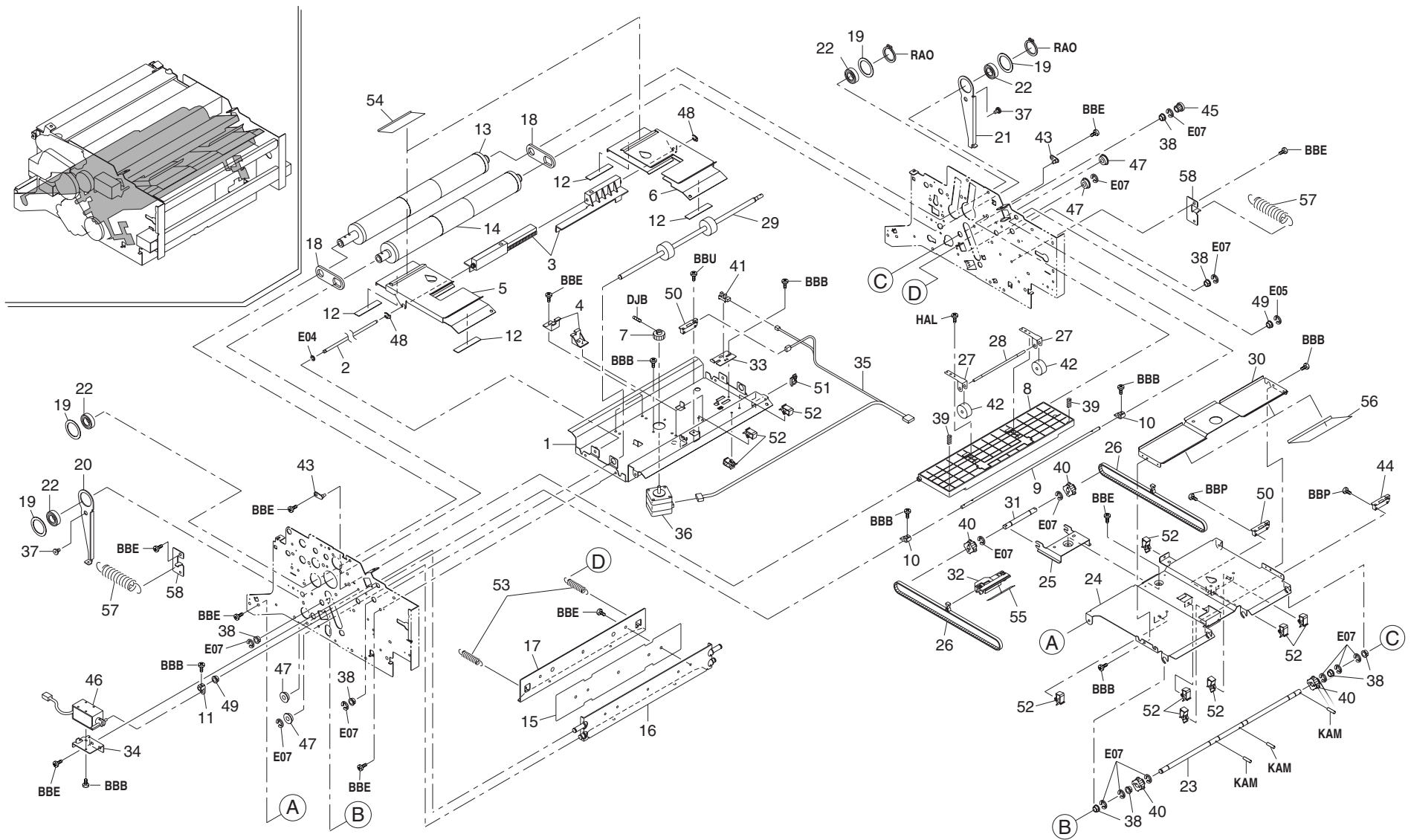


FIG. 2 PAPER FEED-IN SECTION

3CA

SP	Ref. No.	Part. No.	Description	Quantity		
				120V	230V	240V
	1	3CA06010	STAY,SIDE REGISTRATION	1	1	1
	2	3CA06020	SHAFT,SIDE REGISTRATION	1	1	1
	3	3CA06030	RACK,SIDE REGISTRATION	2	2	2
	4	3CA06040	SUPPORT PLATE,RACK	4	4	4
	5	3CA06050	FRONT GUIDE,SIDE REGISTRATION	1	1	1
	6	3CA06060	REAR GUIDE,SIDE REGISTRATION	1	1	1
●	7	3CA06070	GEAR 24,SIDE REGISTRATION	1	1	1
	8	3CA06080	GUIDE,CONVEYING PULLEY	1	1	1
	9	3CA06090	SHAFT,LIFT CAM	1	1	1
	10	3CA06100	CAM,LIFT	2	2	2
	11	3CA06110	LEVER,LIFT	1	1	1
	12	3CA06160	BOTTOM SHEET,SIDE REGISTRATION GUIDE	4	4	4
●	13	3CA08010	ROLLER,PRESSURE	1	1	1
●	14	3CA08020	ROLLER,PRESSURE	1	1	1
●	15	3CA08030	BLADE,MIDDLE PRESSING	1	1	1
	16	3CA08040	SUPPORT PLATE,BLADE	1	1	1
	17	3CA08050	HOLDER,BLADE	1	1	1
	18	3CA08060	JUNCTION PLATE,PRESSURE ROLLER	2	2	2
	19	3CA08070	SPACER,PRESSURE ROLLER	2	2	2
	20	3CA08080	FRONT LEVER,PRESSURE	1	1	1
	21	3CA08090	REAR LEVER,PRESSURE	1	1	1
●	22	3CA08220	BEARING 15/28	4	4	4
	23	3CA16010	SHAFT,CONVEYING DRIVE	1	1	1
	24	3CA16021	LOWER GUIDE,CONVEYING	1	1	1
	25	3CA16030	LOWER TENSION PLATE,CONVEYING	1	1	1
●	26	3CA16041	BELT,CONVEYING POSITIONING	2	2	2
	27	3CA16050	PLATE SPRING,CONVEYING PULLEY	2	2	2
	28	3CA16060	SHAFT,CONVEYING PULLEY	1	1	1
●	29	3CA16080	ROLLER,FEED IN	1	1	1
	30	3CA16101	UPPER GUIDE,CONVEYING	1	1	1
	31	3CA16120	SHAFT,CONVEYING IDLE	1	1	1
	32	3CA16250	MOVING PLATE,POSITIONING	1	1	1
	33	3CA26020	MOUNT,SIDE REGISTRATION PI	1	1	1
	34	3CA26040	MOUNT,LIFT SOLENOID	1	1	1
●	35	3CA27020	JUNCTION WIRING,SIDE REGISTRATION	1	1	1
●	36	18393080	PARTS,MOTOR MOVING(SP)	1	1	1
●	37	48128100	FULCRUM PIN	2	2	2
●	38	49028112	BUSHING 8,LOWER REG.ROLLER	8	8	8
	39	3AK06120	SPRING,MAIN EJECT	2	2	2
●	40	3AK07230	PULLEY 20S3M	4	4	4

SP	Ref. No.	Part. No.	Description	Quantity		
				120V	230V	240V
●	41	35327400	SWITCH,FEED	1	1	1
●	42	62221110	PULLEY,FEEDBACK	2	2	2
	43	63202120	SUPPORT PLATE,COVER	2	2	2
●	44	66006360	PAPER SWITCH	1	1	1
●	45	65722030	PULLEY 22,FEED	1	1	1
●	46	66827020	SOLENOID,FEED	1	1	1
●	47	72114530	BUSHING,SPIRAL	4	4	4
●	48	75706040	STOPRING PAPER FEED PULLEY	2	2	2
●	49	76514080	BUSHING 6 DRIVE	2	2	2
●	50	78727110	JAM DETECTION SWITCH	2	2	2
	51	M2104200	EDGING EDS-1	1	1	1
	52	M2109340	WIRE SADDLE,YMC-05-0(KITAGAWA)	10	10	10
	53	72920390	SPRING,FIXING UNIT COUPLER	2	2	2
	54	3CA06130	SHEET,SIDE REGISTRATION GUIDE	2	2	2
	55	3CA16270	SHEET,POSITIONING GUIDE	1	1	1
	56	3CA16280	UPPER SHEET,CONVEYING GUIDE	2	2	2
	57	3CA08120	SPRING,PRESSURE	2	2	2
	58	3CA08210	TENSION PLATE,ROLLER PRESSURE	2	2	2

- Parts with "•" are component parts or sub-assemblies of the assembly appearing immediately above them.
- Parts with "●" indicates the Service parts.

FIG. 3 EJECT SECTION

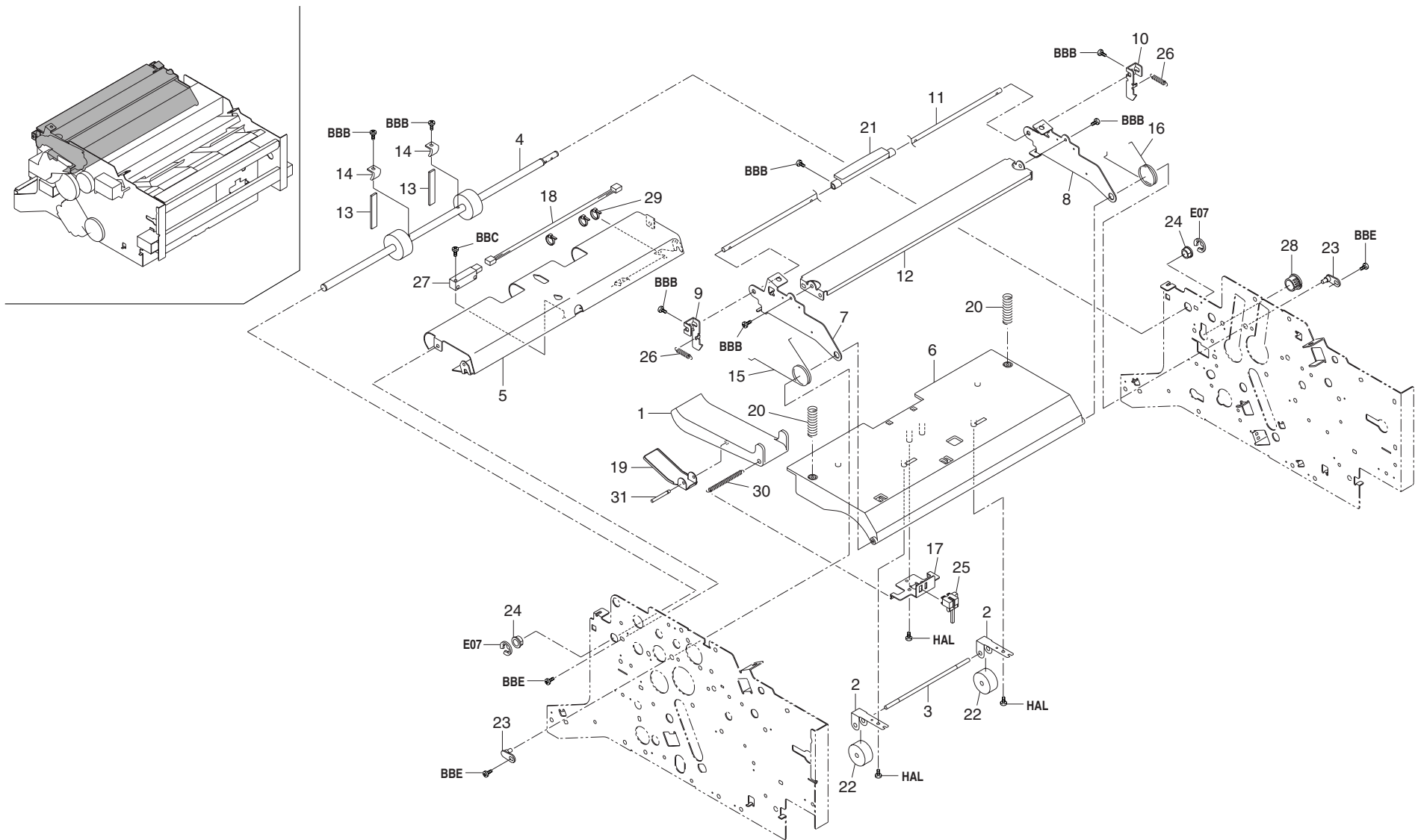


FIG. 3 EJECT SECTION

3CA

SP	Ref. No.	Part. No.	Description	Quantity		
				120V	230V	240V
●	1	3CA04020	ARM,PAPER EJECT HOLDER	1	1	1
	2	3CA16050	PLATE SPRING,CONVEYING PULLEY	2	2	2
	3	3CA16060	SHAFT,CONVEYING PULLEY	1	1	1
●	4	3CA16090	ROLLER,EJECT	1	1	1
	5	3CA16130	LOWER GUIDE,EJECT	1	1	1
●	6	3CA16141	UPPER GUIDE,EJECT	1	1	1
	7	3CA16150	FRONT SUPPORT PLATE,EJECT GUIDE	1	1	1
	8	3CA16160	REAR SUPPORT PLATE,EJECT GUIDE	1	1	1
	9	3CA16170	FRONT HOOK,EJECT RELEASE	1	1	1
	10	3CA16180	REAR HOOK,EJECT RELEASE	1	1	1
	11	3CA16190	SHAFT,EJECT RELEASE	1	1	1
	12	3CA16200	STAY,EJECT RELEASE	1	1	1
●	13	3CA16210	BRUSH,PAPER EJECT REGISTRATION	2	2	2
	14	3CA16220	HOLDER,PAPER EJECT REGISTRATION BRUSH	2	2	2
	15	3CA16230	FRONT SPRING,EJECT RELEASE	1	1	1
	16	3CA16240	REAR SPRING,EJECT RELEASE	1	1	1
	17	3CA26030	MOUNT,EJECT SWITCH	1	1	1
	18	3CA27040	JUNCTION WIRING,SENSOR	1	1	1
	19	3CA04070	AUXILIARY PLATE,PAPER EJECT ARM	1	1	1
	20	3AK06120	SPRING,MAIN EJECT	2	2	2
●	21	3AL04150	HANDLE,HOOK(K M)	1	1	1
●	22	62221110	PULLEY,FEEDBACK	2	2	2
	23	63202120	SUPPORT PLATE,COVER	2	2	2
●	24	67322230	BUSHING 8	2	2	2
●	25	71807711	SWITCH,DUPLEX PAPER	1	1	1
	26	75018250	SPRING CLEANING SOLENOID	2	2	2
●	27	78727110	JAM DETECTION SWITCH	1	1	1
	28	M1203240	OPEN BUSHING,OCB-500	1	1	1
	29	M2607010	BINDING BAND,PLT1M	3	3	3
	30	3CA16260	SPRING,ARM FULCRUM	1	1	1
	31	3CA04080	SHAFT,PAPER EJECT ARM	1	1	1

- Parts with "•" are component parts or sub-assemblies of the assembly appearing immediately above them.
- Parts with "●" indicates the Service parts.



FIG. 4 DRIVING & ELECTRICAL COMPONENTS

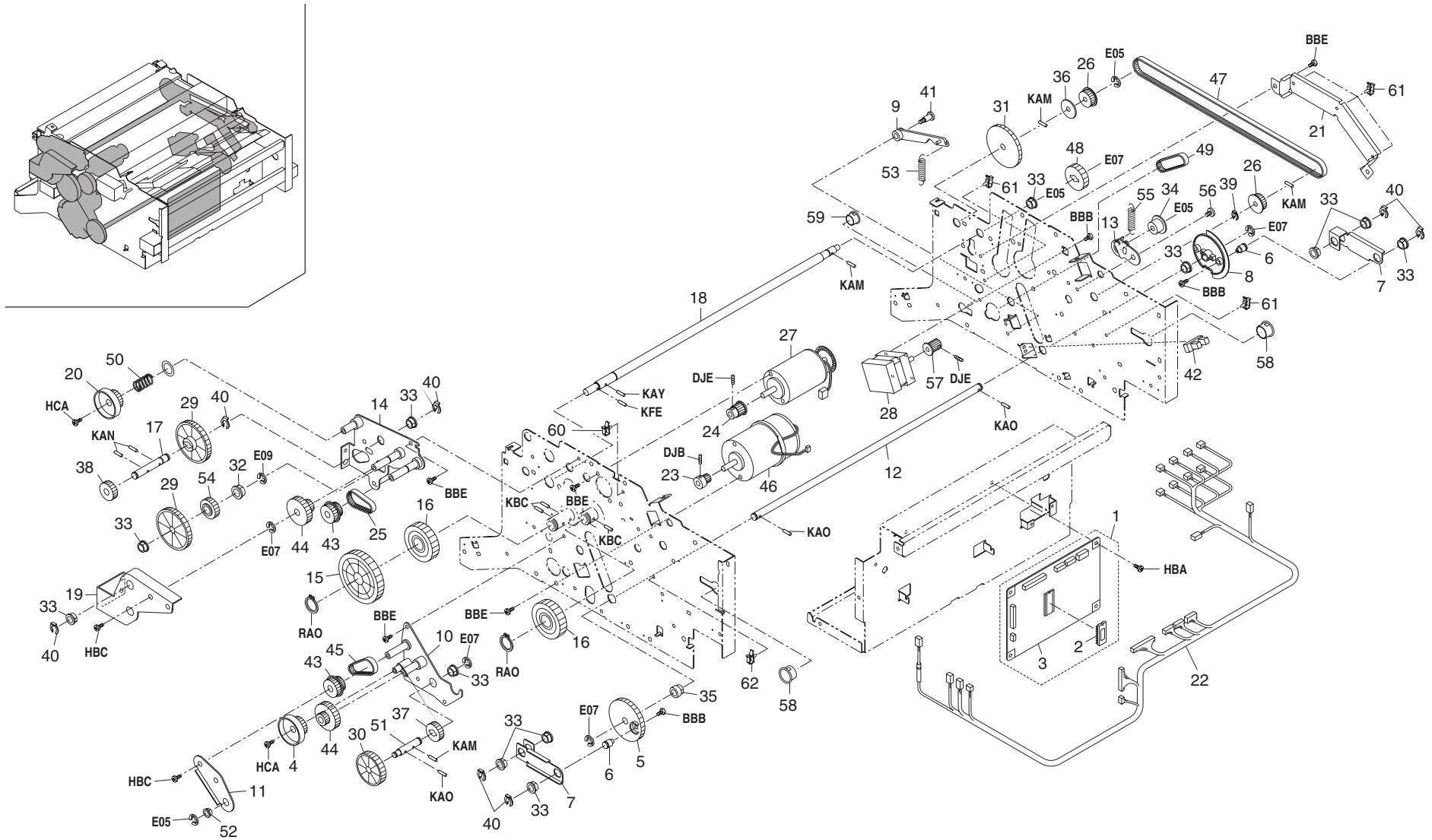


FIG. 4 DRIVING & ELECTRICAL COMPONENTS

3CA

SP	Ref. No.	Part. No.	Description	Quantity		
				120V	230V	240V
●	1	3CA01011	PCB ASS'Y	1	1	1
●	2	●3CA27030	IC,MAIN PCB(C P U)	1	1	1
●	3	●3CA28010	MAIN PCB	1	1	1
●	4	3CA22080	GEAR PC,ROLLER MANUAL	1	1	1
●	5	3CA08130	GEAR 50,BLADE PRESSURE	1	1	1
●	6	3CA08140	PIN,BLADE DRIVE(M3)	2	2	2
●	7	3CA08150	ARM,BLADE PRESSURE	2	2	2
●	8	3CA08160	CAM,BLADE PRESSURE	1	1	1
●	9	3CA08170	CAM,BLADE POSITIONING	1	1	1
●	10	3CA08180	SUPPORT PLATE,BLADE DRIVE SHAFT	1	1	1
●	11	3CA08191	HOLDER,BLADE DRIVE SHAFT	1	1	1
●	12	3CA08100	SHAFT L,BLADE DRIVE	1	1	1
●	13	3CA16070	TENSION PLATE,DRIVE BELT	1	1	1
●	14	3CA22011	SUPPORT PLATE,ROLLER DRIVE SHAFT	1	1	1
●	15	3CA22020	GEAR 40/1.5,PRESSURE ROLLER	1	1	1
●	16	3CA22030	GEAR 16/2.5,PRESSURE ROLLER	2	2	2
●	17	3CA22040	SHAFT S,ROLLER DRIVE	1	1	1
●	18	3CA22050	SHAFT L,ROLLER DRIVE	1	1	1
●	19	3CA22060	HOLDER,ROLLER DRIVE SHAFT	1	1	1
●	20	3CA22070	GEAR,ROLLER MANUAL	1	1	1
●	21	3CA26010	SUPPORT PLATE,WIRE	1	1	1
●	22	3CA27010	WIRE,MAIN	1	1	1
●	23	18307300	PULLEY 20P2M,MOTOR	1	1	1
●	24	18308130	PULLEY 21,CONVEYING MOTOR	1	1	1
●	25	3CA22090	BELT 136P2M6,MOTOR	1	1	1
●	26	18312100	PULLEY 28,EJECT DRIVE	2	2	2
●	27	3CA27050	MOTOR,CONVEYING	1	1	1
●	28	18393080	PARTS,MOTOR MOVING(SP)	1	1	1
●	29	18522210	GEAR 51,CLUTCH	2	2	2
●	30	2AC22460	GEAR 40,FEED	1	1	1
●	31	2AN06610	GEAR 58,IDLE	1	1	1
●	32	49021301	BUSHING, CUTTER	1	1	1
●	33	49028112	BUSHING 8,LOWER REG.ROLLER	12	12	12
●	34	48928105	IDLE PULLEY 15	1	1	1
●	35	49029400	BUSHING,PF CLUTCH	1	1	1
●	36	3CA22100	FLANGE 21/6,BELT	1	1	1
●	37	33414050	GEAR 22,SLEEVE	1	1	1
●	38	33922450	GEAR 22,CLEANING DRIVE	1	1	1
●	39	34806150	STOPPER 5	1	1	1
●	40	34806480	STOPPER 6	7	7	7

SP	Ref. No.	Part. No.	Description	Quantity		
				120V	230V	240V
●	41	34820300	PIN,FIXING COVER	1	1	1
●	42	35327400	SWITCH,FEED	1	1	1
●	43	36906150	GEAR 22/40,FEED	2	2	2
●	44	36922090	GEAR 33/15,IDLE	2	2	2
●	45	63212240	BELT,126P2M6	1	1	1
●	46	63227121	MOTOR,FEED	1	1	1
●	47	63420450	BELT A,BIN UNIT	1	1	1
●	48	65006160	GEAR,BYPASS PULLEY	1	1	1
●	49	65722271	BELT 124,LOOP	1	1	1
●	50	72107210	SPRING,BYPASS SOLENOID	1	1	1
●	51	3CA08111	SHAFT S,BLADE DRIVE	1	1	1
●	52	73210450	BUSH, 6	1	1	1
●	53	74608110	SPRING,SEPARATION CLAW	1	1	1
●	54	74714100	GEAR 19 DEVELOPING ROLLER	1	1	1
●	55	75018250	SPRING CLEANING SOLENOID	1	1	1
●	56	77706670	PIN,FEED FULCRUM	1	1	1
●	57	78722151	PULLEY 20	1	1	1
●	58	M1203220	OPEN BUSHING,OCB-625	2	2	2
●	59	M1203240	OPEN BUSHING,OCB-500	1	1	1
●	60	M2109230	WIRE SADDLE,LWS-3S(KITAGAWA)	1	1	1
●	61	M2109180	WIRE SADDLE,LWS-1S	5	5	5
●	62	M2109350	WIRE SADDLE,YMC-15-0(KITAGAWA)	1	1	1

- Parts with "●" are component parts or sub-assemblies of the assembly appearing immediately above them.
- Parts with "●" indicates the Service parts.

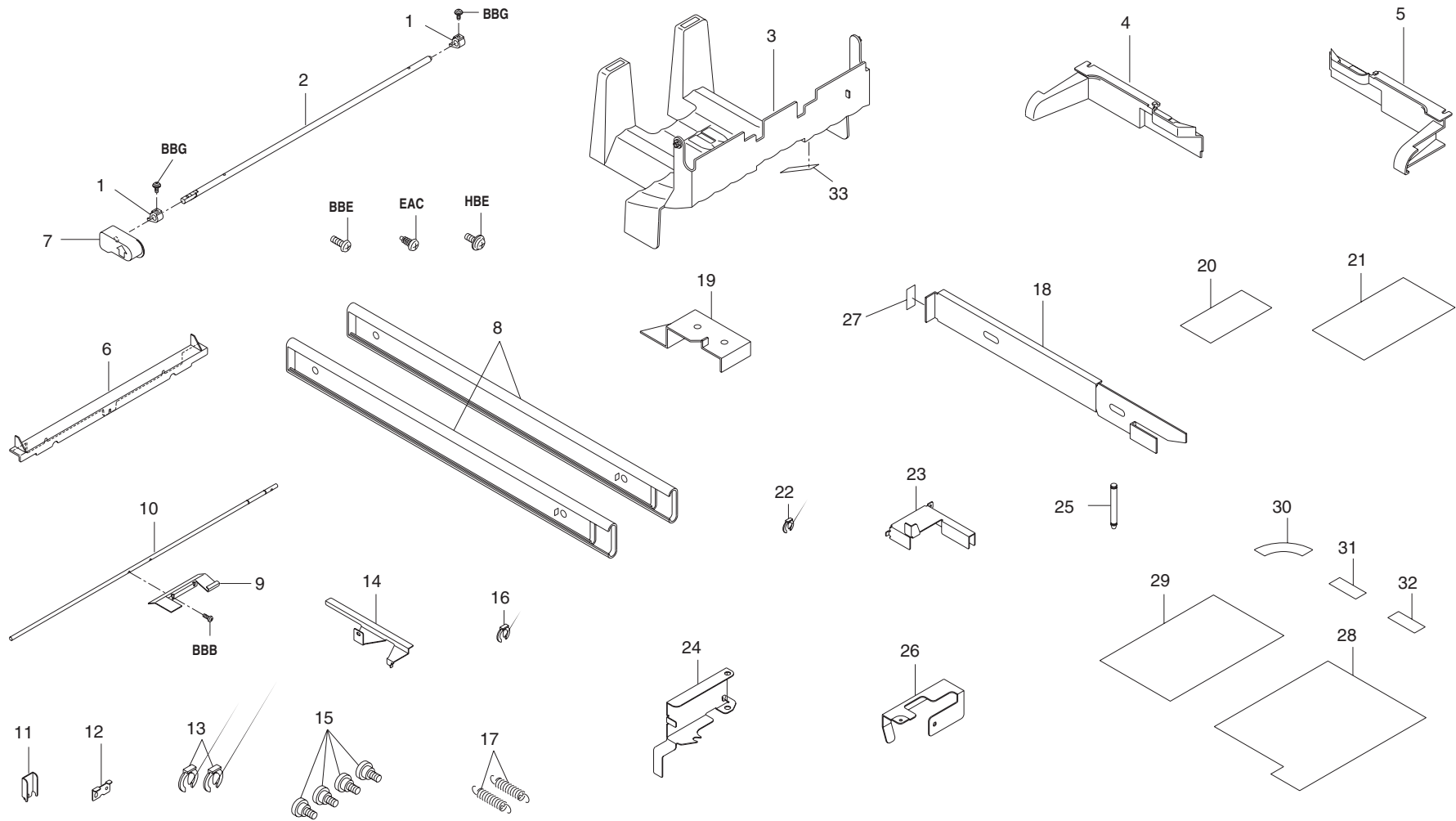


FIG. 5 ACCESSOREIS

3CA

SP	Ref. No.	Part. No.	Description	Quantity		
				120V	230V	240V
	1	3CA02090	CAM,UNIT RELEASE	2	2	2
	2	3CA02100	SHAFT,UNIT RELEASE	1	1	1
●	3	3CA04010	TRAY,EJECT	1	1	1
●	4	3CA04030	LEFT FRONT COVER	1	1	1
●	5	3CA04040	LEFT REAR COVER	1	1	1
●	6	3CA04050	UPPER SPACER,EJECT GUIDE	1	1	1
	7	33420440	HANDLE,FIXING RELEASE	1	1	1
	8	36508210	SLIDER,IMAGE FORMATION UNIT	2	2	2
	9	3CA02190	STOPPER,UNIT RELEASE	1	1	1
	10	3CA02200	SHAFT,UNIT RELEASE STOPPER	1	1	1
	11	3CA02180	LEVER,UNIT RELEASE	1	1	1
	12	3CA02210	HOLDER,RELEASE SHAFT	1	1	1
●	13	75706040	STOPRING PAPER FEED PULLEY	2	2	2
	14	3CA02240	LIGHT SHIELD,DETECTION PI	1	1	1
	15	48129000	PIN,ORIGINAL HOLDER	4	4	4
●	16	34806140	STOPPER 4	1	1	1
	17	74608110	SPRING,SEPARATION CLAW	2	2	2
	18	3CA02220	WORK PLATE,UNIT RELEASE LEVER	1	1	1
	19	3CA02230	STOPPER,UNIT RETAINER	1	1	1
●	20	3CA05020	LABEL,UNIT INSERTION	1	1	1
	21	3CA05030	LABEL,JAM REMOVAL	1	1	1
●	22	65016080	STOP RING E3	1	1	1
	23	3CA02250	HANDLE,UNIT MOVING	1	1	1
	24	3CA02260	HOOK,UNIT LOCK	1	1	1
	25	3CA02270	SHAFT,UNIT LOCK	1	1	1
	26	3CA02280	STOPPER,TRAY	1	1	1
	27	3CA05040	LABEL,LOCK RELEASE	1	1	1
●	28	3CA05050	LABEL B,JAM REMOVAL(JPN)	1	1	1
●	29	3CA05060	LABEL B,JAM REMOVAL(EXP)	1	1	1
	30	3CA05070	LABEL 1,OPERATION	1	1	1
	31	3CA05080	LABEL 2,OPERATION	1	1	1
	32	3CA05090	LABEL 3,OPERATION	1	1	1
	33	3CA06120	PAD,SIDE REGISTRATION GUIDE	1	1	1

- Parts with "\*" are component parts or sub-assemblies of the assembly appearing immediately above them.
- Parts with "●" indicates the Service parts.

INDEX

3CA

SP	Part. No.	Description	Quantity			Fig. No.
			120V	230V	240V	
●	18307300	PULLEY 20P2M,MOTOR	1	1	1	4
●	18308130	PULLEY 21,CONVEYING MOTOR	1	1	1	4
●	18312100	PULLEY 28,EJECT DRIVE	2	2	2	4
●	18393080	PARTS,MOTOR MOVING(SP)	2	2	2	2,4
●	18522210	GEAR 51,CLUTCH	2	2	2	4
●	2AC22460	GEAR 40,FEED	1	1	1	4
●	2AN06610	GEAR 58,IDLE	1	1	1	4
	3AK06120	SPRING,MAIN EJECT	4	4	4	2,3
●	3AK07230	PULLEY 20S3M	4	4	4	2
●	3AL04150	HANDLE,HOOK(K M)	1	1	1	3
●	3CA01011	PCB ASS'Y	1	1	1	4
	3CA02010	FRONT FRAME	1	1	1	1
	3CA02020	REAR FRAME	1	1	1	1
	3CA02030	RIGHT BASE	1	1	1	1
	3CA02040	LEFT BASE	1	1	1	1
	3CA02050	UPPER STAY,MOTOR	1	1	1	1
	3CA02060	LOWER STAY,EJECT	1	1	1	1
	3CA02070	SHAFT,HOOK	1	1	1	1
	3CA02080	HOOK,UNIT RELEASE	2	2	2	1
	3CA02090	CAM,UNIT RELEASE	2	2	2	5
	3CA02100	SHAFT,UNIT RELEASE	1	1	1	5
	3CA02110	FRONT MOUNT,SLIDER	2	2	2	1
	3CA02120	REAR MOUNT,SLIDER	2	2	2	1
	3CA02130	FRONT RETAINER,SLIDER	1	1	1	1
	3CA02140	REAR RETAINER,SLIDER	1	1	1	1
	3CA02152	STOPPER,SLIDE	1	1	1	1
	3CA02160	HOLDER,SLIDE STOPPER	1	1	1	1
	3CA02170	LOWER RIGHT STAY,FRAME	1	1	1	1
	3CA02180	LEVER,UNIT RELEASE	1	1	1	5
	3CA02190	STOPPER,UNIT RELEASE	1	1	1	5
	3CA02200	SHAFT,UNIT RELEASE STOPPER	1	1	1	5
	3CA02210	HOLDER,RELEASE SHAFT	1	1	1	5
	3CA02220	WORK PLATE,UNIT RELEASE LEVER	1	1	1	5
	3CA02230	STOPPER,UNIT RETAINER	1	1	1	5
	3CA02240	LIGHT SHIELD,DETECTION PI	1	1	1	5
	3CA02250	HANDLE,UNIT MOVING	1	1	1	5
	3CA02260	HOOK,UNIT LOCK	1	1	1	5
	3CA02270	SHAFT,UNIT LOCK	1	1	1	5
	3CA02280	STOPPER,TRAY	1	1	1	5
●	3CA04010	TRAY,EJECT	1	1	1	5

SP	Part. No.	Description	Quantity			Fig. No.
			120V	230V	240V	
●	3CA04020	ARM,PAPER EJECT HOLDER	1	1	1	3
●	3CA04030	LEFT FRONT COVER	1	1	1	5
●	3CA04040	LEFT REAR COVER	1	1	1	5
●	3CA04050	UPPER SPACER,EJECT GUIDE	1	1	1	5
	3CA04060	LOWER COVER,EJECT ROLLER	2	2	2	1
	3CA04070	AUXILIARY PLATE,PAPER EJECT ARM	1	1	1	3
	3CA04080	SHAFT,PAPER EJECT ARM	1	1	1	3
●	3CA05020	LABEL,UNIT INSERTION	1	1	1	5
	3CA05030	LABEL,JAM REMOVAL	1	1	1	5
	3CA05040	LABEL,LOCK RELEASE	1	1	1	5
●	3CA05050	LABEL B,JAM REMOVAL(JPN)	1	1	1	5
●	3CA05060	LABEL B,JAM REMOVAL(EXP)	1	1	1	5
	3CA05070	LABEL 1,OPERATION	1	1	1	5
	3CA05080	LABEL 2,OPERATION	1	1	1	5
	3CA05090	LABEL 3,OPERATION	1	1	1	5
	3CA06010	STAY,SIDE REGISTRATION	1	1	1	2
	3CA06020	SHAFT,SIDE REGISTRATION	1	1	1	2
	3CA06030	RACK,SIDE REGISTRATION	2	2	2	2
	3CA06040	SUPPORT PLATE,RACK	4	4	4	2
	3CA06050	FRONT GUIDE,SIDE REGISTRATION	1	1	1	2
	3CA06060	REAR GUIDE,SIDE REGISTRATION	1	1	1	2
●	3CA06070	GEAR 24,SIDE REGISTRATION	1	1	1	2
	3CA06080	GUIDE,CONVEYING PULLEY	1	1	1	2
	3CA06090	SHAFT,LIFT CAM	1	1	1	2
	3CA06100	CAM,LIFT	2	2	2	2
	3CA06110	LEVER,LIFT	1	1	1	2
	3CA06120	PAD,SIDE REGISTRATION GUIDE	1	1	1	5
	3CA06130	SHEET,SIDE REGISTRATION GUIDE	2	2	2	2
	3CA06140	PAD,CONVEYING PULLEY GUIDE	2	2	2	1
	3CA06160	BOTTOM SHEET,SIDE REGISTRATION GUIDE	4	4	4	2
●	3CA08010	ROLLER,PRESSURE	1	1	1	2
●	3CA08020	ROLLER,PRESSURE	1	1	1	2
●	3CA08030	BLADE,MIDDLE PRESSING	1	1	1	2
	3CA08040	SUPPORT PLATE,BLADE	1	1	1	2
	3CA08050	HOLDER,BLADE	1	1	1	2
	3CA08060	JUNCTION PLATE,PRESSURE ROLLER	2	2	2	2
	3CA08070	SPACER,PRESSURE ROLLER	2	2	2	2
	3CA08080	FRONT LEVER,PRESSURE	1	1	1	2
	3CA08090	REAR LEVER,PRESSURE	1	1	1	2
	3CA08100	SHAFT L,BLADE DRIVE	1	1	1	4

• Parts with "●" indicates the Service parts.

SP	Part. No.	Description	Quantity			Fig. No.
			120V	230V	240V	
	3CA08111	SHAFT S, BLADE DRIVE	1	1	1	4
	3CA08120	SPRING, PRESSURE	2	2	2	2
●	3CA08130	GEAR 50, BLADE PRESSURE	1	1	1	4
	3CA08140	PIN, BLADE DRIVE (M3)	2	2	2	4
	3CA08150	ARM, BLADE PRESSURE	2	2	2	4
●	3CA08160	CAM, BLADE PRESSURE	1	1	1	4
●	3CA08170	CAM, BLADE POSITIONING	1	1	1	4
	3CA08180	SUPPORT PLATE, BLADE DRIVE SHAFT	1	1	1	4
	3CA08191	HOLDER, BLADE DRIVE SHAFT	1	1	1	4
	3CA08210	TENSION PLATE, ROLLER PRESSURE	2	2	2	2
●	3CA08220	BEARING 15/28	4	4	4	2
	3CA16010	SHAFT, CONVEYING DRIVE	1	1	1	2
	3CA16021	LOWER GUIDE, CONVEYING	1	1	1	2
	3CA16030	LOWER TENSION PLATE, CONVEYING	1	1	1	2
●	3CA16041	BELT, CONVEYING POSITIONING	2	2	2	2
	3CA16050	PLATE SPRING, CONVEYING PULLEY	4	4	4	2,3
	3CA16060	SHAFT, CONVEYING PULLEY	2	2	2	2,3
	3CA16070	TENSION PLATE, DRIVE BELT	1	1	1	4
●	3CA16080	ROLLER, FEED IN	1	1	1	2
●	3CA16090	ROLLER, EJECT	1	1	1	3
	3CA16101	UPPER GUIDE, CONVEYING	1	1	1	2
	3CA16110	PAD, CONVEYING GUIDE	2	2	2	1
	3CA16120	SHAFT, CONVEYING IDLE	1	1	1	2
	3CA16130	LOWER GUIDE, EJECT	1	1	1	3
●	3CA16141	UPPER GUIDE, EJECT	1	1	1	3
	3CA16150	FRONT SUPPORT PLATE, EJECT GUIDE	1	1	1	3
	3CA16160	REAR SUPPORT PLATE, EJECT GUIDE	1	1	1	3
	3CA16170	FRONT HOOK, EJECT RELEASE	1	1	1	3
	3CA16180	REAR HOOK, EJECT RELEASE	1	1	1	3
	3CA16190	SHAFT, EJECT RELEASE	1	1	1	3
●	3CA16200	STAY, EJECT RELEASE	1	1	1	3
	3CA16210	BRUSH, PAPER EJECT REGISTRATION	2	2	2	3
	3CA16220	HOLDER, PAPER EJECT REGISTRATION BR	2	2	2	3
	3CA16230	FRONT SPRING, EJECT RELEASE	1	1	1	3
	3CA16240	REAR SPRING, EJECT RELEASE	1	1	1	3
	3CA16250	MOVING PLATE, POSITIONING	1	1	1	2
	3CA16260	SPRING, ARM FULCRUM	1	1	1	3
	3CA16270	SHEET, POSITIONING GUIDE	1	1	1	2
	3CA16280	UPPER SHEET, CONVEYING GUIDE	2	2	2	2
	3CA22011	SUPPORT PLATE, ROLLER DRIVE SHAFT	1	1	1	4

• Parts with "●" indicates the Service parts.

SP	Part. No.	Description	Quantity			Fig. No.
			120V	230V	240V	
●	3CA22020	GEAR 40/1.5, PRESSURE ROLLER	1	1	1	4
●	3CA22030	GEAR 16/2.5, PRESSURE ROLLER	2	2	2	4
	3CA22040	SHAFT S, ROLLER DRIVE	1	1	1	4
	3CA22050	SHAFT L, ROLLER DRIVE	1	1	1	4
	3CA22060	HOLDER, ROLLER DRIVE SHAFT	1	1	1	4
●	3CA22070	GEAR, ROLLER MANUAL	1	1	1	4
	3CA22080	GEAR PC, ROLLER MANUAL	1	1	1	4
●	3CA22090	BELT 136P2M6, MOTOR	1	1	1	4
	3CA22100	FLANGE 21/6, BELT	1	1	1	4
	3CA26010	SUPPORT PLATE, WIRE	1	1	1	4
	3CA26020	MOUNT, SIDE REGISTRATION PI	1	1	1	2
	3CA26030	MOUNT, EJECT SWITCH	1	1	1	3
	3CA26040	MOUNT, LIFT SOLENOID	1	1	1	2
	3CA26050	MOUNT, TRAY SWITCH	1	1	1	1
	3CA26060	MOUNT, MOTOR PI	1	1	1	1
●	3CA27010	WIRE, MAIN	1	1	1	4
●	3CA27020	JUNCTION WIRING, SIDE REGISTRATION	1	1	1	2
●	3CA27030	IC, MAIN PCB (C P U)	1	1	1	4
	3CA27040	JUNCTION WIRING, SENSOR	1	1	1	3
●	3CA27050	MOTOR, CONVEYING	1	1	1	4
	3CA27060	JUNCTION WIRING, STOCK	1	1	1	1
●	3CA28010	MAIN PCB	1	1	1	4
●	33414050	GEAR 22, SLEEVE	1	1	1	4
	33420440	HANDLE, FIXING RELEASE	1	1	1	5
●	33922450	GEAR 22, CLEANING DRIVE	1	1	1	4
●	34806140	STOPPER 4	1	1	1	5
●	34806150	STOPPER 5	1	1	1	4
●	34806480	STOPPER 6	7	7	7	4
	34820300	PIN, FIXING COVER	1	1	1	4
●	35327400	SWITCH, FEED	3	3	3	1,2,4
	36508210	SLIDER, IMAGE FORMATION UNIT	2	2	2	5
●	36906150	GEAR 22/40, FEED	2	2	2	4
●	36922090	GEAR 33/15, IDLE	2	2	2	4
●	48128100	FULCRUM PIN	2	2	2	2
	48129000	PIN, ORIGINAL HOLDER	4	4	4	5
	48527301	SPRING, RELEASE LEVER	2	2	2	1
	48928105	IDLE PULLEY 15	1	1	1	4
●	49021301	BUSHING, CUTTER	1	1	1	4
●	49028112	BUSHING 8, LOWER REG. ROLLER	20	20	20	2,4

SP	Part. No.	Description	Quantity			Fig. No.
			120V	230V	240V	
●	49029400	BUSHING,PF CLUTCH	1	1	1	4
●	62221110	PULLEY,FEEDBACK	4	4	4	2,3
	63202120	SUPPORT PLATE,COVER	4	4	4	2,3
●	63212240	BELT,126P2M6	1	1	1	4
●	63227121	MOTOR,FEED	1	1	1	4
●	63420450	BELT A,BIN UNIT	1	1	1	4
●	63527020	SAFETY,SWITCH	1	1	1	1
●	65006160	GEAR,BYPASS PULLEY	1	1	1	4
●	65016080	STOP RING E3	1	1	1	5
●	65722030	PULLEY 22,FEED	1	1	1	2
●	65722271	BELT 124,LOOP	1	1	1	4
●	66006360	PAPER SWITCH	2	2	2	1,2
●	66827020	SOLENOID,FEED	1	1	1	2
●	67322230	BUSHING 8	2	2	2	3
●	71807711	SWITCH,DUPLEX PAPER	1	1	1	3
	72107210	SPRING,BYPASS SOLENOID	1	1	1	4
●	72114530	BUSHING,SPIRAL	4	4	4	2
	72920390	SPRING,FIXING UNIT COUPLER	2	2	2	2
●	73210450	BUSH, 6	1	1	1	4
	74608110	SPRING,SEPARATION CLAW	3	3	3	4,5
●	74714100	GEAR 19 DEVELOPING ROLLER	1	1	1	4
	75018250	SPRING CLEANING SOLENOID	3	3	3	3,4
●	75706040	STOPRING PAPER FEED PULLEY	4	4	4	2,5
●	76514080	BUSHING 6 DRIVE	2	2	2	2
	77706670	PIN,FEED FULCRUM	1	1	1	4
●	78722151	PULLEY 20	1	1	1	4
●	78727110	JAM DETECTION SWITCH	3	3	3	2,3
	M1203220	OPEN BUSHING,OCB-625	2	2	2	4
	M1203240	OPEN BUSHING,OCB-500	2	2	2	3,4
	M2104200	EDGING EDS-1	3	3	3	1,2
	M2104350	EDGING,EDS-0607M(KITAGAWA)	2	2	2	1
	M2109180	WIRE SADDLE,LWS-1S	5	5	5	4
	M2109230	WIRE SADDLE,LWS-3S(KITAGAWA)	1	1	1	4
	M2109340	WIRE SADDLE,YMC-05-0(KITAGAWA)	10	10	10	2
	M2109350	WIRE SADDLE,YMC-15-0(KITAGAWA)	1	1	1	4
	M2607010	BINDING BAND,PLT1M	3	3	3	3

• Parts with "●" indicates the Service parts.